



# MODEL 2210

Installation Manual





## **MODEL 2210 INSTALLATION**

### **WARRANTY**

This product is warranted against defects in materials and workmanship for the period specified in the warranty from the date of invoice.

### **SERVICE**

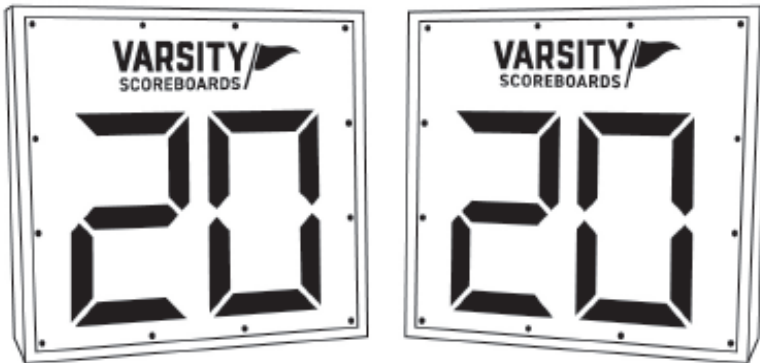
Technical Support is available 24 hours a day, 7 days a week.  
1-800-411-3136

<https://www.varsityscoreboards.com/support/contact-support.html>  
(link to fill out support request on website)



## A NOTE TO INSTALLERS

If you are installing these shot clocks for a client, please return the manual to the individual in charge of the shot clocks upon completion of installation.



### SHOT CLOCK DIMENSIONS

26" wide x 25" tall x 6" depth



# TABLE OF CONTENTS

MODEL 2210 INSTALLATION . . . . .	5-6
INSTALLATION OVERVIEW . . . . .	7
PRODUCT SPECIFICATIONS . . . . .	8
MOUNTING THE SHOT CLOCKS TO A WALL . . . . .	9
SUSPENDING THE SHOT CLOCKS . . . . .	10
CONNECTING AND RUNNING ELECTRIC . . . . .	11
WIRELESS SHOT CLOCKS . . . . .	12
BBL CONNECTION . . . . .	13
TESTING THE INSTALLED SYSTEM . . . . .	14



## MODEL 2210 INSTALLATION

Please inspect all shipping containers upon arrival for damage and ensure that you have all of the parts listed below:

### ITEMS IN LARGE PACKAGE(S)



**(2) 26" x 25" Basketball Shot Clocks**

Shipped in two (2) sections

## ITEMS IN ACCESSORY BAG



**(1) Handheld Shot Clock Controller**  
Connects directly to the LCD controller



**(2) Wireless Receivers**

## INSTRUCTIONS FOR REPORTING SHIPPING DAMAGE

### 1 /

Note "DAMAGED" on the Delivery Receipt Form, including details of the type of damage to the freight and packaging.

### 2 /

Ask the delivery driver to call the local terminal and report immediately.

### 3 /

Contact Varsity Scoreboards immediately while the delivery driver is still present to report the damage

- A. Phone number
- B. Email

Shipping damage **must** be noted at the time of delivery. The shipper is **not responsible** for shipments that aren't sighted for as damaged upon arrival. The shipper is responsible for filing a claim, unless shipped 3rd party.



## INSTALLATION OVERVIEW

This manual will walk you through the installation of the shot clocks. While care has been taken to consider the many scenarios for installation, some general information applies to all. Follow this guide as closely as possible to ensure proper installation.

### 1 /

Review the product specifications below to determine your specific installation hardware.

### 2 /

Determine the shot clocks location and orientation.

### 3 /

Mount the shot clocks on a wall, suspend them from a structure, or mount them on the backboards.

**NOTE: For backboard or goal mounting instructions, please contact the manufacturer of your goal/backboard.**

### 5 /

Run and connect the electrical service to each shot clock.

### 6 /

Test the installed system.



## PRODUCT SPECIFICATIONS

### OVERALL DIMENSIONS

26" L x 25" W x 6" D - shipped in two (2) sections

### WEIGHT

Hanging weight = approximately 35 lbs per clock  
Shipping weight = approximately 100 lbs

## CONSTRUCTION

22-gauge galvalume steel cabinet with powder coat finish for strength, durability, and lasting appearance

## INSTALLATION RECOMMENDATIONS

We recommend this model to be installed by mounting to a wall or suspending the shot clocks. **For backboard or goal mounting instructions, please contact the manufacturer of your backboard or goal.**

*Installation hardware not supplied. Check local code for requirements. Anchors, bolts, chains, cables and related hardware must meet minimum weight requirements.*





## MOUNTING THE SHOT CLOCKS ON A WALL

Carefully remove each shot clock from its packaging, making sure not to pry against or cut into the clock's cabinet. Inspect each unit for shipping damage according to the instructions on page 6.

### 1 /

Connect a lift device to the hanging/lifting holes on the top of the clock and lift the unit into place. Refer to the illustration to see the location of the hanging/lifting holes.

If anchors are to be used, use the pre-drilled mounting holes in the left and right mounting flanges as a template for marking the drill locations for the anchors, two (2) through the left mounting flanges and two (2) through the right mounting flange.

### 2 /

Move the clock away from the wall and drill the holes for the anchors. Install the anchors in the wall. Refer to the illustration to see the location of mounting flanges and mounting holes.

### 3 /

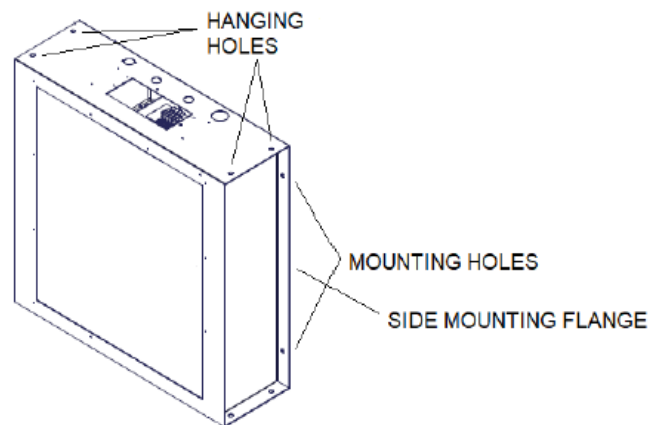
Once the anchors are installed (or if no anchors are to be used) the clock may be fastened securely to the wall. Use hardware appropriate for the surface to which the unit will be mounted.

### 4 /

For concrete or concrete block walls, the use of bolts and anchors is recommended. No mounting brackets are necessary as the pre-drilled mounting flanges on the left and right of the clock are used to mount the unit directly to the wall.

### 5 /

The clock must be attached to the wall securely through both mounting holes in the left mounting flange and both mounting holes in the right mounting flange. Refer to the illustration to see the location of the mounting flanges and mounting holes.



**NOTE: The location of the disconnect switch after installation shall comply with Article 600 of the National Electric Code.**



## SUSPENDING THE SHOT CLOCKS

Carefully remove each shot clock from its packaging, making sure not to pry against or cut into the clock's cabinet. Inspect each unit for shipping damage according to the instructions on page 6.

### 1 /

If the clock must be lifted into place before the permanent suspension cables can be attached the unit may be raised into position by connecting a lift device to the two top mounting holes in the unit's left and right mounting flanges.

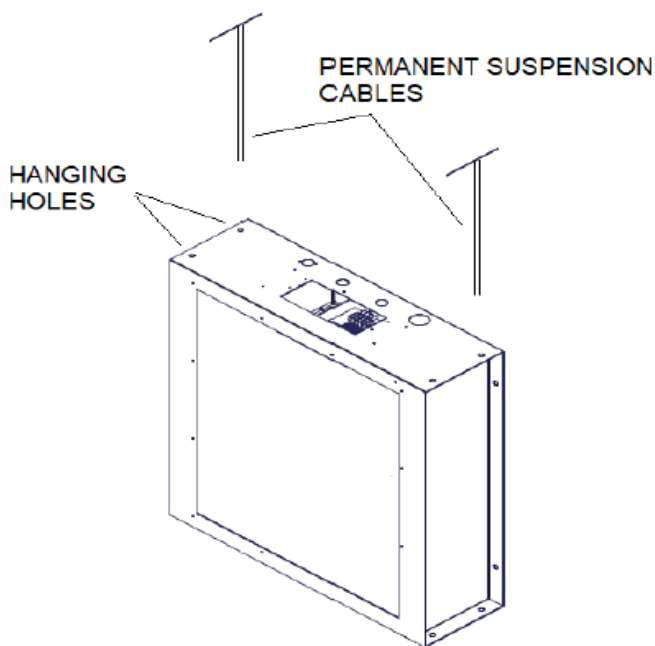
### 2 /

Then, two (2) separate suspension cables may be attached to the hanging holes in the top of the unit. Refer to the illustration to see the location of the hanging holes and side mounting flanges.

### 3 /

If the clock is to be lifted into position using the same cables that will permanently suspend it, these cables may be attached directly to the hanging holes in the top of the unit.

**NOTE:** It is recommended that the cables that will be used to permanently suspend the shot clocks be attached to the structure first, then to the clock's hanging holes after it is lifted into position using a lifting device.

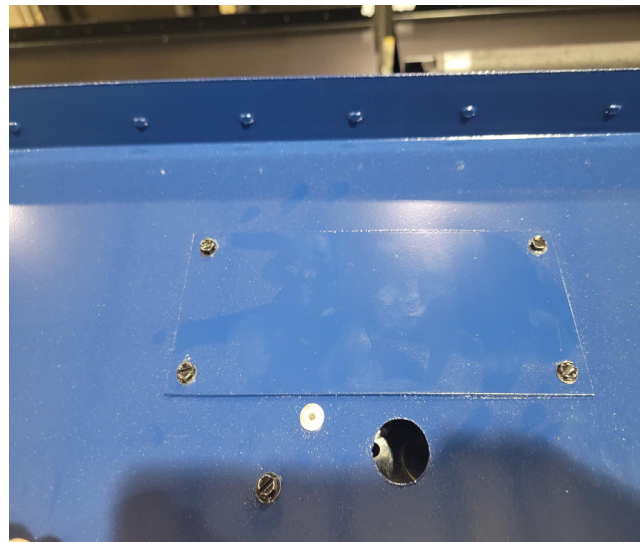
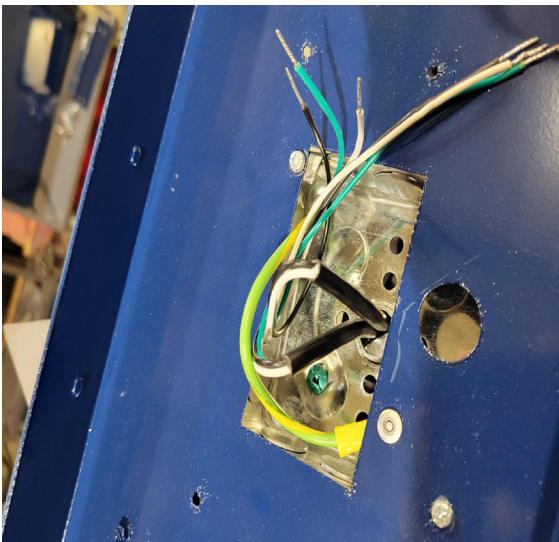




## RUNNING & CONNECTING THE ELECTRIC SERVICE

### NOTE:

THIS PORTION OF THE INSTALLATION REQUIRES A LICENSED ELECTRICIAN. IDEALLY, THE SCOREBOARD WILL BE POWERED FROM A DEDICATED 120V/20A CIRCUIT. ADDITIONALLY, SINCE THE SCOREBOARD'S POWER SHOULD BE TURNED OFF AFTER EACH USE, THERE SHOULD BE EASY ACCESS TO THE POWER SWITCH OR CIRCUIT BREAKER. IF ACCESS TO THE CIRCUIT BREAKER IS NOT AN OPTION, INSTALL A SWITCH SOMEWHERE THAT IS ACCESSIBLE, EVEN IF UNDER THE SCOREBOARD AT AN ABOVE AVERAGE HEIGHT.



**1 /**

Open the power/signal access door on the top of the shot clocks. Locate the power input wires.

**2 /**

The connections are standard black, white, and green (ground). Included is a utility ground which must be used. Make up the power supply connections and replace the utility box cover.

**3 /**

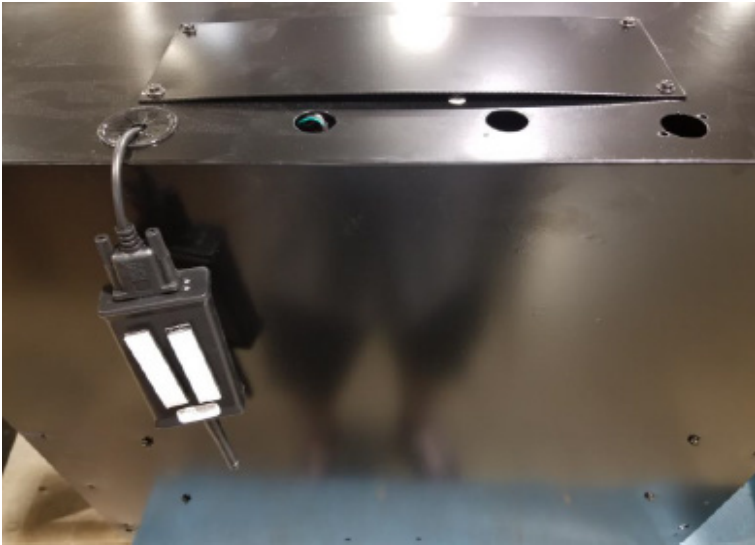
Close and secure the power/signal access door.



## WIRELESS SHOT CLOCKS

Below is a picture of the back of one of the wireless shot clocks. The wireless receiver is attached inside the unit and you have up to 10 feet of slack on its cable. Remotely mount this receiver by removing the white strips off the adhesive and place on a clean, smooth, surface in close proximity to the shot clock.

**NOTE:** ENSURE THAT THE RUBBER ANTENNA IS POINTED STRAIGHT UP AND THAT THERE IS A LINE OF SIGHT BETWEEN THE WIRELESS RECEIVER AND THE KEYBOARD CONTROLLER.





## BBL CONNECTION

The Backboard Lighting (BBL) connection point is on the top of each of the shot clocks. Once the shot clocks are installed and the BBL strips are installed, plus the XLR connection to a port as shown below.

Please refer to your BBL Installation Manual for further instructions on their installation.



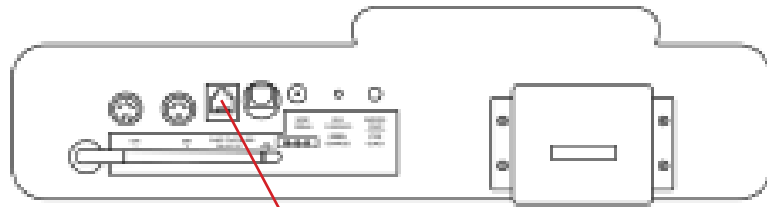
**NOTE:** If you purchased the shot clock standalone version, please skip to Testing the Installed System on the next page.



## INSTALLING THE HAND-HELD CONTROLLER



Connect the RS-232 jack to the port on the back of the LCD controller. See image below.



RS-232 Jack



## TESTING THE INSTALLED SYSTEM

AFTER INSTALLATION IS COMPLETE, HAVE THE INSTALLER TEST THE SHOT CLOCKS BY FOLLOWING THE STEPS BELOW:

**1 /**

While holding down the OPTIONS button, turn the wireless controller on

**2 /**

The screen will display "Select Diag Mode." Press the down arrow once to scroll to "Digit Test." Press ENTER.

**3 /**

The screen will display "Segment Test" and "Segments Off". Press the down arrow once to display "Segments On". When all segments are on, all digits should display "8"

**4 /**

Press the down arrow again to display “Digits Count”. All digits should continuously count from 0-9

**5 /**

If all digits turn on and count, the installer can then turn off the wireless controller.

**Congratulations!**

**You’ve successfully installed your  
Varsity Scoreboard Shot Clocks!**

If any problems arise, please have the installer call Varsity Scoreboards Customer Service at 800-411-3136 while the installer is still present at the install location.

**VARSIITY** /   
**SCOREBOARDS** /